

## Designer Pro Series

### LED PAR38

- \*Suitable for use in totally enclosed fixture
- \*Exceptional color rendering CRI 90 / 80
- \*Strict LED binning for consistent CCT's across all lamps
- \*Vibrant Reds and Natural looking Skin tones R9=65 R13=94
- \*Available in Narrow Flood and Flood beam angles
- \*Available in 2700K ,3000K & 5000K CCT
- \*Exceptional efficacy 80 LPW in Warm White
- \*They are ROHS compliant with no lead or mercury
- \*This device complies with part 15 of the FCC Rules



### PRODUCT

- Watts: 14.5
- Lumens: 1050-1100-1150
- CRI: 90 / 80
- CCT: 2700K-3000K-5000K
- Beam Angles: 25° - 40°
- Efficiency: 80 LPW
- Base Type: E26

### FEATURES

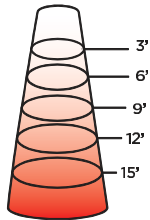
- Warranty: 5 years
- Voltage: 120V
- Dimming: TRIAC
- Classifications: Wet Rated
- Operating Temp: - 4 to 104 °F

## DesignerPro Series

### LED PAR38

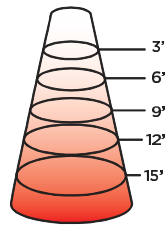
### ILLUMINANCE & CANDELA DISTRIBUTION

25° 3000K

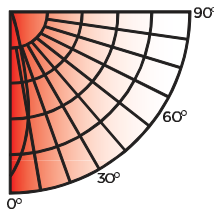


Diameter	Footcandles
1.2	628
2.3	157
3.5	70
4.6	39
5.8	25

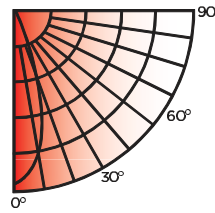
40° 3000K



Diameter	Footcandles
2.0	296
3.9	74
5.9	33
7.8	19
9.8	12

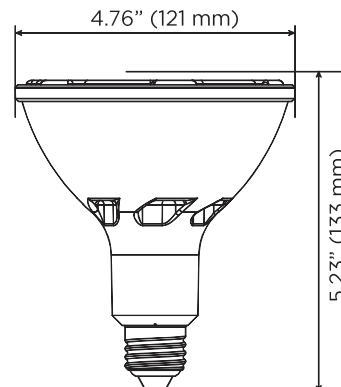


Degree	Candela
0	5700
5	4748
15	1571
25	307
35	81
45	55



Degree	Candela
0	2700
5	2652
15	1797
25	736
35	183
45	46

Base: E26  
 Dimmable: Yes  
 PF: 0.9  
 Weight: 0.84lb / 380g



### Technical Specification

PAR • DIRECTIONAL - PAR 38 • 1050 / 1100 / 1150 lm • G

Type	Voltage	Wattage	Base	CBCP	Light Output	Color temp.	CRI	Beam angle	Equal	SKU Code
	(v)	(w)		(cd)	(lm)	(k)	(Ra)	Δ	(w)	
PAR38	120	14.5	E26	5650	1050	2700	90	25	100	DP0514.5PAR38E26D927G125CB1W
PAR38	120	14.5	E26	5700	1100	3000	90	25	100	DP0514.5PAR38E26D930G125CB1W
PAR38	120	14.5	E26	5750	1150	5000	80	25	100	DP0514.5PAR38E26D850G125CB1W
PAR38	120	14.5	E26	2650	1050	2700	90	40	100	DP0514.5PAR38E26D927G140CB1W
PAR38	120	14.5	E26	2700	1100	3000	90	40	100	DP0514.5PAR38E26D930G140CB1W
PAR38	120	14.5	E26	2750	1150	5000	80	40	100	DP0514.5PAR38E26D850G140CB1W