



Designer Pro Series

LED HO PAR38

- *Strict LED binning for consistent CCT's across all lamps
- *Available in Narrow Flood and Flood beam angles
- *Available in 3000K & 4000K CCT
- *Exceptional efficacy 100 LPW in Warm White
- *They are ROHS compliant with no lead or mercury
- *This device complies with part 15 of the FCC Rules
- *Not suitable for using in totally enclosed fixture



PRODUCT

- Watts: 40
- Lumens: 4000
- CRI: 83
- CCT: 3000K-4000K
- Beam Angles: 25° - 40°
- Efficiency: 100 LPW
- Base Type: E26

FEATURES

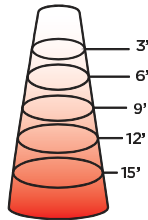
- Warranty: 5 years
- Voltage: 120-277V
- Dimming: Non Dim
- Classifications: Wet Rated
- Operating Temp: - 4 to 104 °F

Designer Pro Series

LED HO PAR38

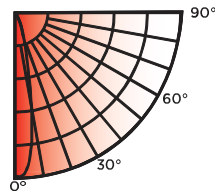
ILLUMINANCE & CANDELA DISTRIBUTION

25°3000K



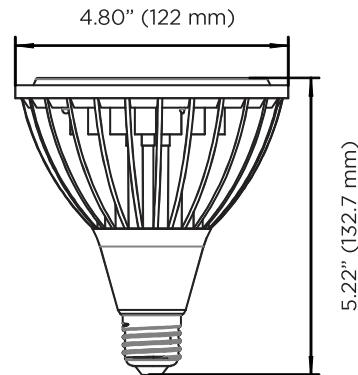
Diameter	Footcandles
1.0	2178
2.1	545
3.1	242
4.1	136
5.2	87

40 Degree will be available



Degree	Candela
0	19800
5	18073
15	5343
25	1801
35	527
45	182

Base: E26
 PF: 0.9
 Weight: 1.28lb / 580g



Technical Specification

PAR • DIRECTIONAL - HO PAR 38 • 4000 lm

Type	Voltage	Wattage	Base	CBCP	Light Output	Color temp.	CRI	Beam angle	Equal	SKU Code
	(v)	(w)		(cd)	(lm)	(k)	(Ra)		(w)	
HO PAR38	120-277	40	E26	19800	4000	3000	83	25	250	--
HO PAR38	120-277	40	E26	19850	4000	4000	83	25	250	